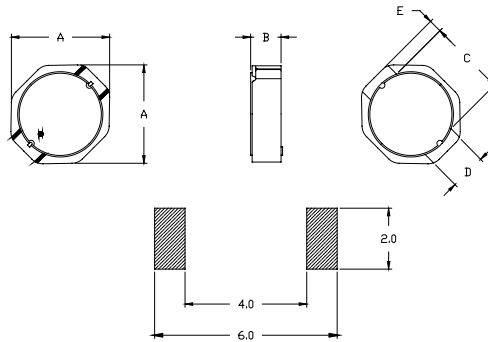


HTD52L TYPE

TYPE

HTD 52L



- A: 5 ± 0.3
- B: 2 MAX
- C: 4.2 REF
- D: 1.4 REF
- E: 0.6 REF

SPECIFICATION

ITEM	L	TEST	DCR	IDC
HTD52L	(μ H)	FREQ.(KHz)	MAX.(m Ω)	MAX.(A)
1R2M	$1.2 \pm 20\%$	100	44	2.15
2R2M	$2.2 \pm 20\%$	100	59	1.63
3R5M	$3.5 \pm 20\%$	100	73	1.34
4R7M	$4.7 \pm 20\%$	100	87	1.14
6R8M	$6.8 \pm 20\%$	100	105	0.95
100M	$10 \pm 20\%$	100	150	0.76
150M	$15 \pm 20\%$	100	210	0.63
220M	$22 \pm 20\%$	100	275	0.56
330M	$33 \pm 20\%$	100	455	0.44
470M	$47 \pm 20\%$	100	730	0.36
680M	$68 \pm 20\%$	100	935	0.30
101M	$100 \pm 20\%$	100	1500	0.28

M: $\pm 20\%$

can design any part to your requirements with different inductance.

* All parameters as this content presented are subject to final specifications both sides confirmed.