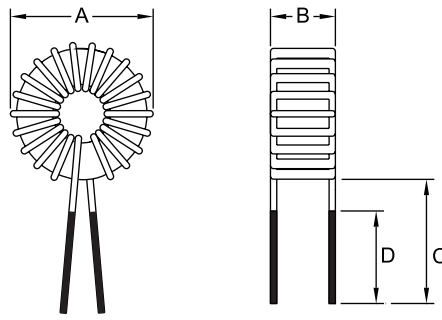




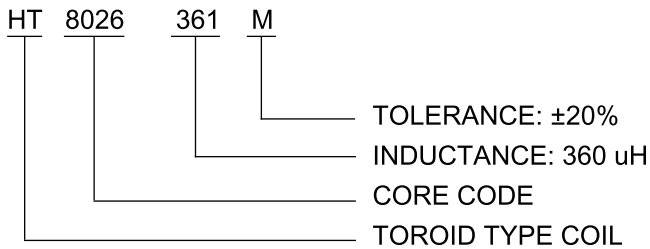
HT TYPE

MATERIAL AND CORE ARE VARIABLE OPTION, IRON CORE, FERRITE CORE AND AMORPHOUS CORE

CONSTRUCTION (m/m)



COIL CODE

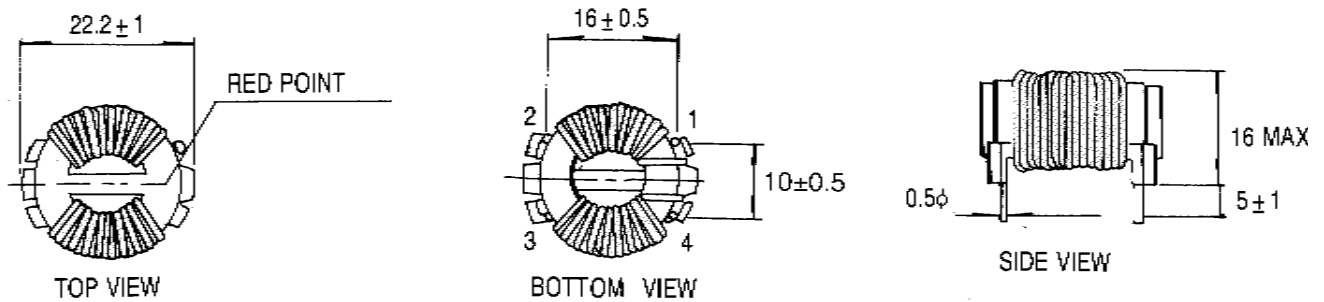


FOR INSTANCE IRON CORE

HT5026	<input type="checkbox"/>	100M
HT5026B	<input type="checkbox"/>	<input type="checkbox"/>
HT3726	<input type="checkbox"/>	<input type="checkbox"/>
HT6826	<input type="checkbox"/>	<input type="checkbox"/>
HT10626	<input type="checkbox"/>	<input type="checkbox"/>
HT13026	<input type="checkbox"/>	<input type="checkbox"/>
HT13126	<input type="checkbox"/>	<input type="checkbox"/>

LINE FILTERS

CONFIGURATION (m/m)



* All parameters as this content presented are subject to final specifications both sides confirmed.