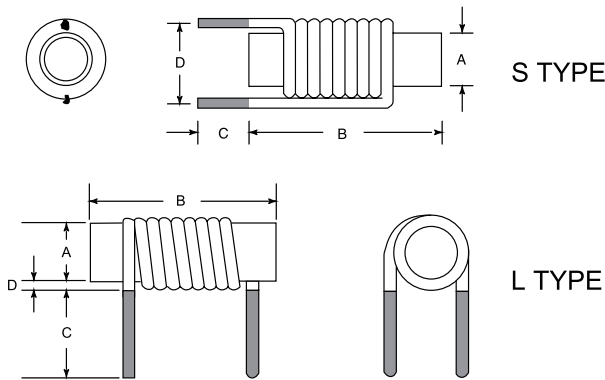


HSR TYPE

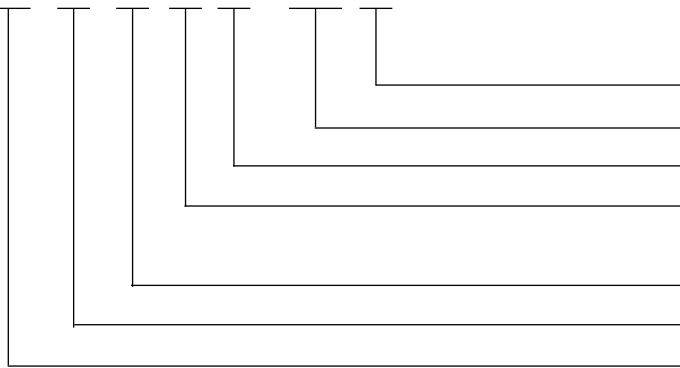
(FOR HIGH CURRENT, SWITCHING POWER SUPPLY)
 CUSTOMERS' SPECIFICATION ARE WELCOME

CONSTRUCTION (m/m)



COIL CODE

HSR 06 30 S T 100 K



TOLERANCE: $\pm 10\%$
 INDUCTANCE: $10\mu\text{H}$
 T: TUBE
 TYPE: S TYPE
 L TYPE
 B DIM: 30 m/m
 A DIM: 6 m/m
 HSR TYPE COIL

FOR INSTANCE:

HSR0615	<input type="checkbox"/>	<input type="checkbox"/>	<input type="checkbox"/>	<input type="checkbox"/>	HSR0310	<input type="checkbox"/>	<input type="checkbox"/>	<input type="checkbox"/>	<input type="checkbox"/>
HSR0620	<input type="checkbox"/>	<input type="checkbox"/>	<input type="checkbox"/>	<input type="checkbox"/>	HSR0820	<input type="checkbox"/>	<input type="checkbox"/>	<input type="checkbox"/>	<input type="checkbox"/>
HSR0625	<input type="checkbox"/>	<input type="checkbox"/>	<input type="checkbox"/>	<input type="checkbox"/>	HSR0830	<input type="checkbox"/>	<input type="checkbox"/>	<input type="checkbox"/>	<input type="checkbox"/>
HSR0630	<input type="checkbox"/>	<input type="checkbox"/>	<input type="checkbox"/>	<input type="checkbox"/>					

CHARACTERISTICS

STYLEHSR TYPE (CORE: R CORE)
 TEMPERATURE RISE 20°C
 AMBIENT TEMPERATURE 80°C
 TEMPERATURE RANGE -20°C to 100°C

* All parameters as this content presented are subject to final specifications both sides confirmed.