

HCPS139405 TYPE

SPECIALIZE IN HIGH CURRENT & HIGH
 INDUCTANCE FOR SMD INDUCTORS

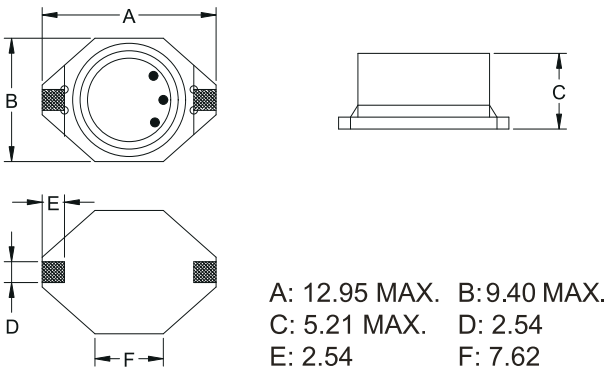


CHARACTERISTICS

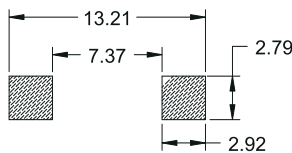
1. TESTED AT 100 KHZ, 0.1 VRMS
2. INDUCTANCE DROP=10% TYPE. AT RATED IDC 1
TEMP. 15°C RISE TYPE. AT IDC 2
3. OPERATING TEMPERATURE RANGE -40 °C TO +85 °C
4. ELECTRICAL SPECIFICATIONS AT 25 °C

ELECTRICAL SPECIFICATION

CONSTRUCTION (m/m)



Land Patterns



COIL CODE

HCPS 139405 150 M

TOLERANCE : ± 20%
 INDUCTANCE : 15 µH
 C DIM.
 B DIM.
 A DIM.
 HCPS TYPE

ITEM	L	DCR	SRF	IDC1	IDC2
HCPS139405	(µH)	MAX. (Ω)	MIN. (MHz)	MAX. (A)	MAX. (A)
1R0M	1.0 ± 20%	0.021	140	5.6	5.0
1R5M	1.5 ± 20%	0.022	120	5.2	4.5
2R2M	2.2 ± 20%	0.032	80	5.0	3.8
3R3M	3.3 ± 20%	0.039	70	3.9	3.3
4R7M	4.7 ± 20%	0.054	40	3.2	2.7
6R8M	6.8 ± 20%	0.075	38	2.8	2.2
100M	10.0 ± 20%	0.101	35	2.4	2.0
150M	15.0 ± 20%	0.150	25	2.0	1.5
220M	22.0 ± 20%	0.207	19	1.6	1.3
330M	33.0 ± 20%	0.334	15	1.4	1.1
470M	47.0 ± 20%	0.472	13	1.0	0.8

K: ± 10% M: ± 20%

can design any part to your requirements with different inductance.

* All parameters as this content presented are subject to final specifications both sides confirmed.